

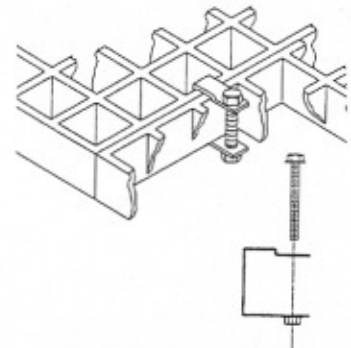
ANCHORING DETAILS

- All gratings are to be firmly anchored to their supports by positive means.
- Clips are supplied by grating manufacturer. Other fastening accessories can be provided by manufacturer upon request.

TYPE 1 END PANEL CLIPS

- Available in 18-8 & 316 stainless galvanized steel or monel¹
- Joins adjacent panels of grating together between supports to minimize differential deflection under load. Use with square mesh Grating supported by grating legs.
- Consult grating manufacturer for spacing recommendations.

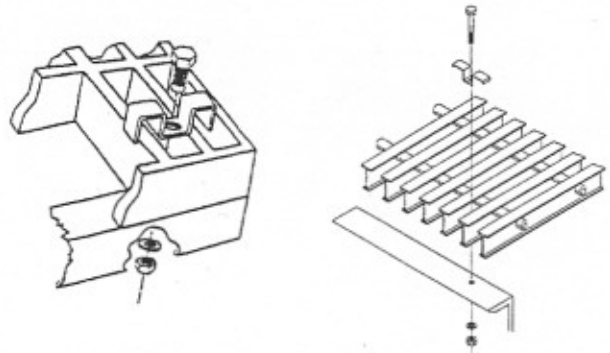
For molded grating



TYPE 2 SADDLE or "M" CLIPS

- Available in 18-8 & 316 stainless galvanized steel or monel¹
- (2) recommended at each support. (4) minimum per panel. Cross-bars may have to be cut during installation.

For all types of grating



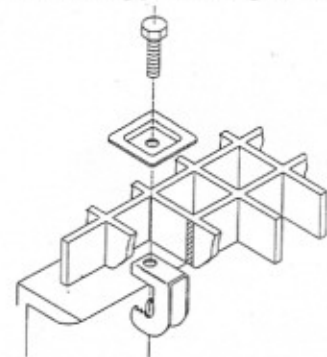
molded grating

pultruded grating

TYPE 3 TOP MOUNTING MECHANICAL FRICTION CLIPS

- (2) recommended at each support. (4) minimum per panel. Cross-bars may have to be cut during installation.
- Can be installed without requiring access to underside of grating. Eliminates field drilling.

For all types of grating¹



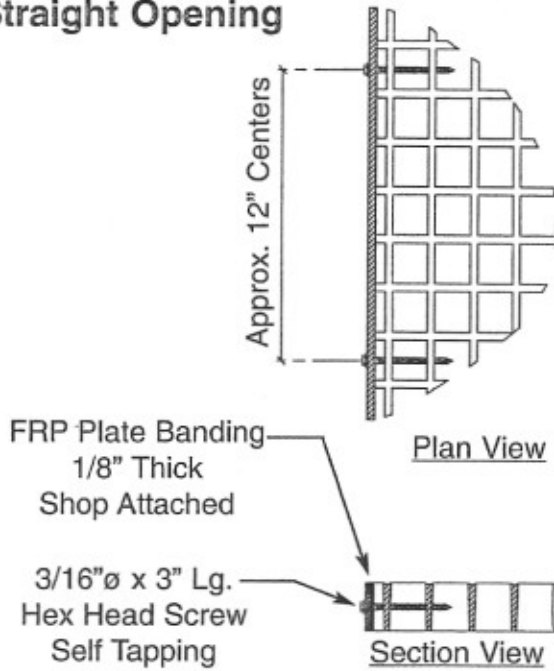
TYPE 4 OTHER TYPES

Other types of anchors which have been appropriately tested and have demonstrated satisfactory performance may also be used. Included in other types are "J" clips and below surface plate clips for pultruded grating. Consult your manufacturer.

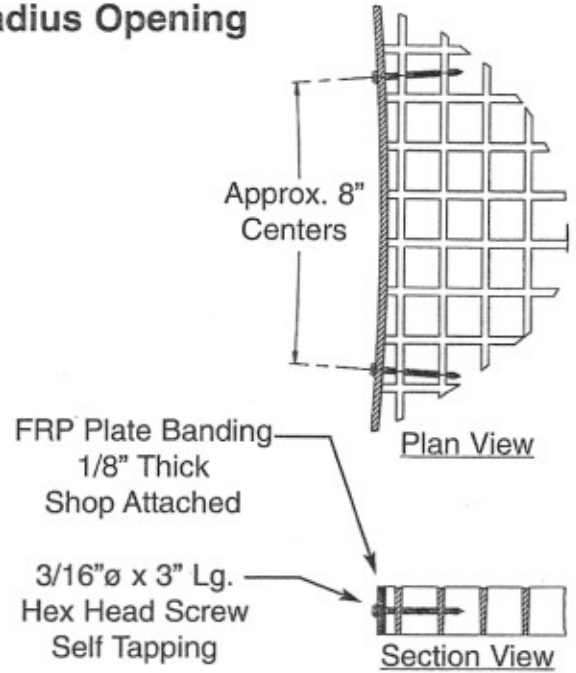
1. Consult your manufacturer for availability

BANDING AND KICKPLATES
Molded Grating

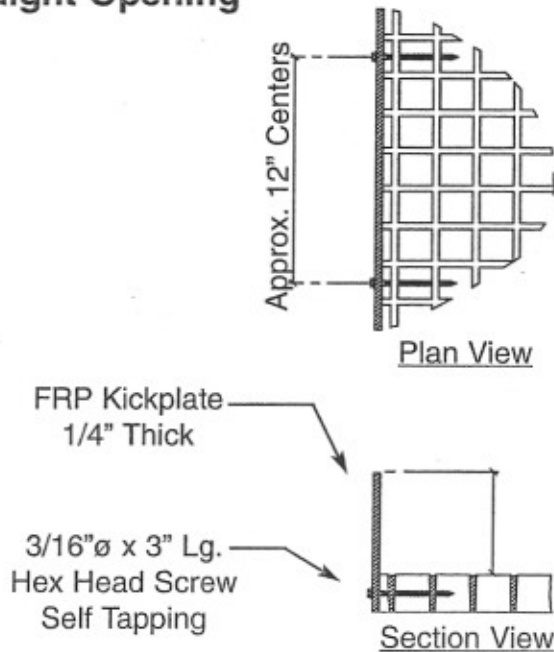
FRP EDGE BANDING
Straight Opening



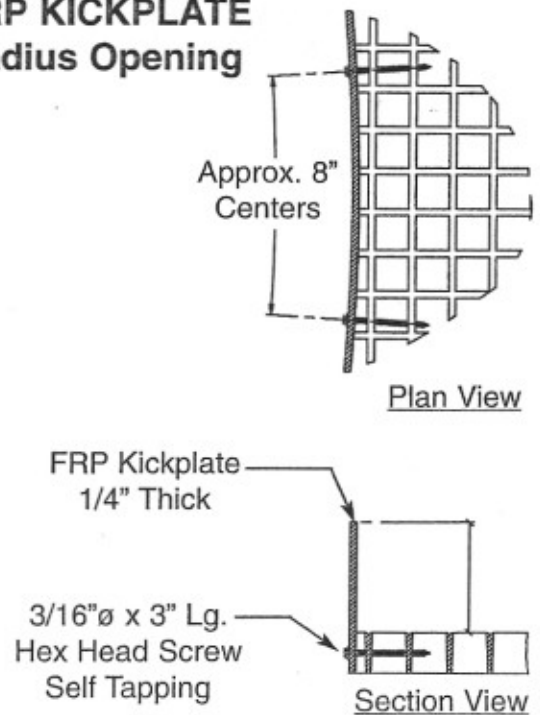
FRP EDGE BANDING
Radius Opening



FRP KICKPLATE
Straight Opening

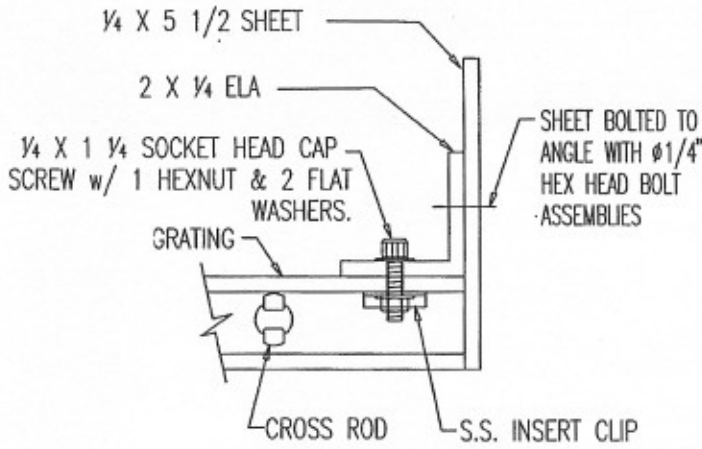


FRP KICKPLATE
Radius Opening

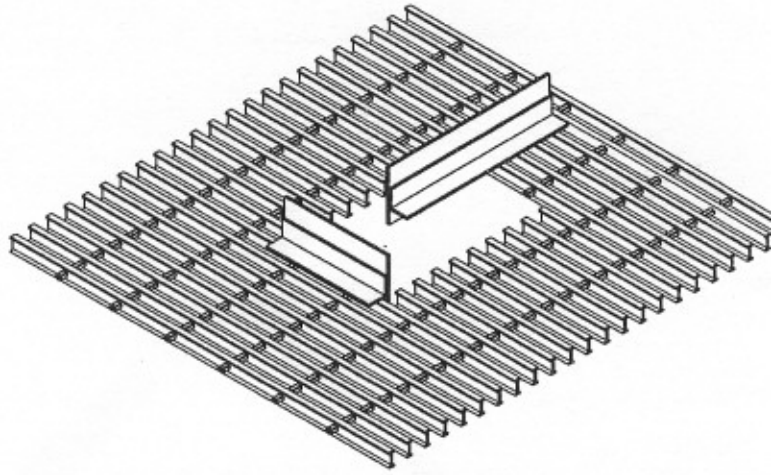


NOTE: Each manufacturer may have slight variations in fabrication to accomplish same result. Consult your manufacturer for their specific details.

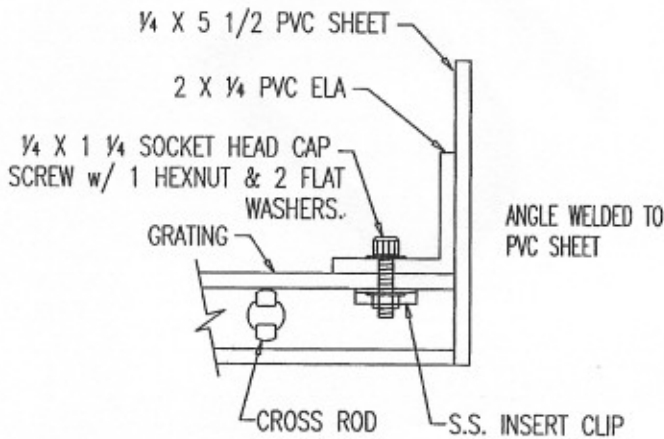
BANDING AND KICKPLATES
Pultruded Grating



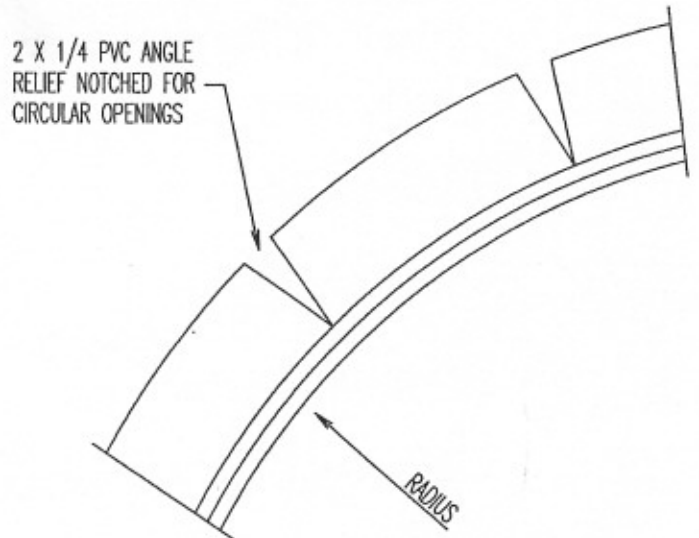
TOE PLATE CONNECTION DETAIL



STRAIGHT TOE PLATE ISOMETRIC VIEW



TOE PLATE CONNECTION DETAIL



CIRCULAR TOE PLATE PLAN VIEW

NOTE: Each manufacturer may have slight variations in fabrication to accomplish same result. Consult your manufacturer for their specific details.